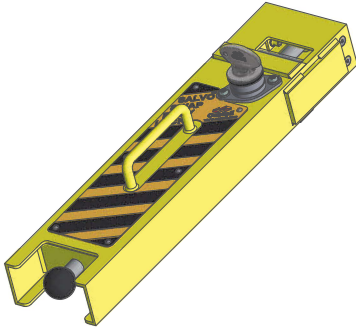


# Salvo Swap Body Lock

## User Guide

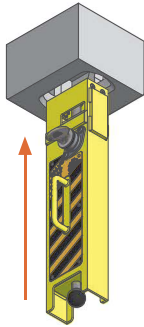


The Salvo Swap Body lock is a key operated mechanical locking device designed to fit into the twist lock aperture on a swap body trailer. When fitted the Salvo Swap Body Lock can only be removed with the permit key. The Salvo Swap Body lock brings added safety to the loading dock procedures by locking into a swap body trailer's twist lock aperture. The Salvo Swap Body Lock remains in place when the Castell key is removed. When the loading/ unloading procedures are complete, the Castell key may be inserted, and the Salvo Swap Body Lock removed, allowing the trailer to connect and the vehicle to depart from the loading bay.

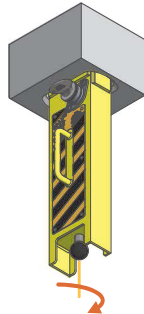
### Operation

The Salvo Swap Body Lock is designed as part of a safety system to safeguard against accidental drive aways. The Salvo Swap Body Lock ensures obstruction of the twist lock aperture before the loading bay door can be opened.

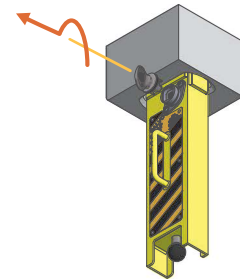
① Insert Swap Body Lock into twist lock aperture.



② Rotate bar 90 degrees clockwise.



③ Rotate the key anti-clockwise and remove the key. Locking the Swap Body Lock in position.



To remove the Salvo Swap Body Lock reverse the above procedure.

### Precautions



Salvo Swap Body Lock is heavy. During the course of normal use, it may become dirty, greasy and slippery. If dropped, the unit could cause serious injury or damage to persons or property. Handle with care. Wear appropriate personal protective clothing.

### Maintenance

Regular checks ensuring moving components move freely including lock portion and key.



Do not grease/oil lock portion.

# Salvo Swap Body Lock

## User Guide

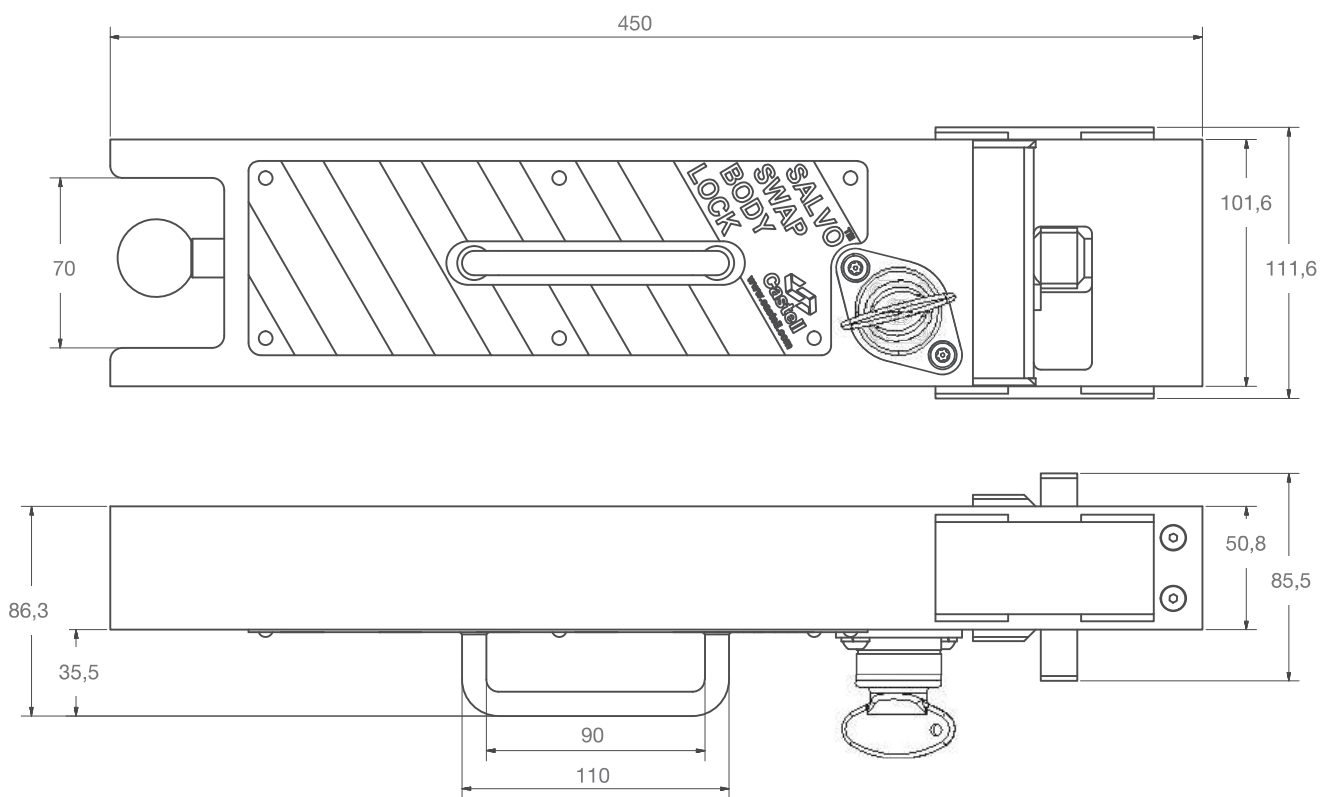
### Technical Data

<b>Working Temperature</b>	Min. -25 0176C (ice free) Max. +55°C
<b>Weight</b>	2.5kg
<b>Material</b>	Stainless steel lock complete with TPE (Thermoplastic Elastomer) sleeve

### Drawing

Dimensions:  
in mm

SALVO SWAP BODY LOCK



### Order Information

#### Order Information

Part Number