

Salvo Club

User Guide



The Salvo Club helps ensure loading dock safety. The Salvo Club brings added safety to loading dock procedures by locking a vehicle's steering wheel. The Salvo Club can be attached to vehicle steering wheels of varying sizes and will remain locked in place once the Castell key is removed. When loading/unloading procedures are complete, the Castell key may be replaced, and the Salvo Club can be removed allowing the vehicle driver to depart from the loading bay.

Operation

①



Begin by fully closing the two halves of the Salvo Club. Then place the Salvo Club in position over the steering wheel.

②



Slide the two halves of the Salvo Club apart, engaging the hooks inside the wheel.

③



Rotate and remove the key.

④



The Salvo Club is now locked in place restricting rotations of the steering wheel.

Precautions



Salvo Club will not safeguard a vehicle drive-away. It's purpose is to provide a warning that loading/unloading activity may still be ongoing.

It is possible to remove the key when the club is not fitted.

Handle with Care. Beware of pinch points where the two halves slide/telescope together.

Maintenance

Apply lubrication to the inner plungers. The recommended lubricant is Armna G4789 or equivalent. The recommended lubrication interval is 6-12 months as required. Keeping the Salvo Club lock clean will ensure long and reliable service.

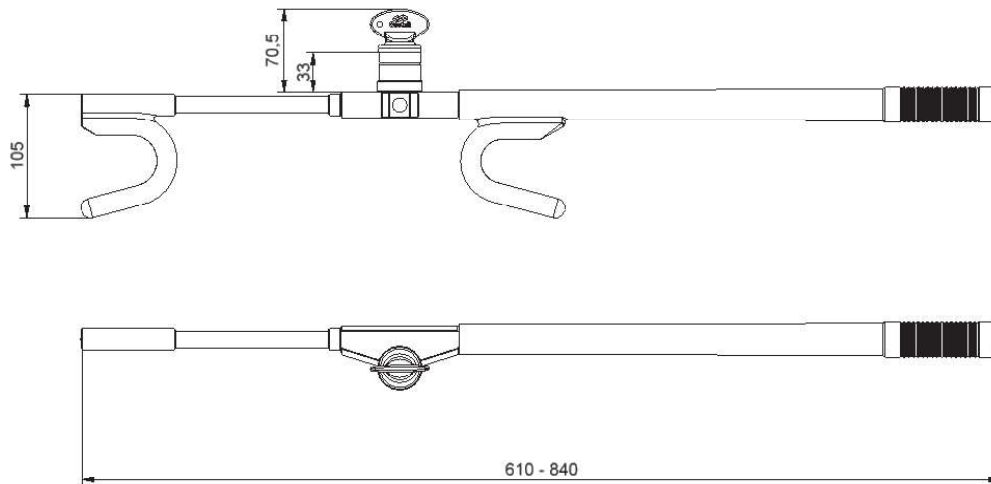
Technical Data

Working Temperature	NA
Weight	1,5kg
Housing Material	Steel/Cro-moly Steel Construction with heat treated steel hook
Lock Material	Stainless Steel/Brass
Steering Wheel Size	Min. 22cm Internal Diameter; Max. 48cm Internal Diameter

Drawing

Dimensions:
in mm

SALVO CLUB



Order Information

Please advise part number and symbol when ordering.
(mandatory information)**

Part Number**

006476

Symbol**

please advise